



Architectural Ironmongery Ltd

GLASS FITTINGS

Glass fitting range of application	3
Overview door system types (without overpanel)	4
Overview door system types (with overpanel)	5
Bottom patch GEZE PT 10	6
Top patch GEZE PT 20	7
Top patch GEZE PT 22	8
Overpanel patch with pivot pin GEZE PT 30	9
Overpanel and side panel patch GEZE PT 40	10
Overpanel and side panel patch with fin GEZE PT 41L / PT 41R	11
Double overpanel patch GEZE PT 50	12
Double overpanel patch with fin GEZE PT 51	13
Overpanel and side panel patch GEZE PT 63 and PT 63 S	14
Connector patch GEZE PT 70 and PT 70 S	15
Overpanel patch with fin GEZE PT 71 and 71 S	16
Connector patch GEZE PT 80	17
Connector patch with fin GEZE PT 81	18
Side patch for fixed panels GEZE PT 82	19
Side patch for fixed panel with M8 bolt GEZE PT 85	20
Corner patch lock GEZE PL 50	21
Centre lock GEZE US 50	22
Centre strike GEZE GK 50	23
Single overpanel strike box GK 30	24
Overpanel and side panel strike box GK 40	25
Overpanel and side panel strike box GK 41 L / GK 41 R	26
Double strike box GEZE GK 20	27
Retractable top pivot GEZE PT 21	28
Top pivot GEZE PT 24 and GEZE TS 137 A	29
Studio range	30
Junior range	32
GEZE products in combination with patch fittings	34

Elegant solutions – versatile and easy to install

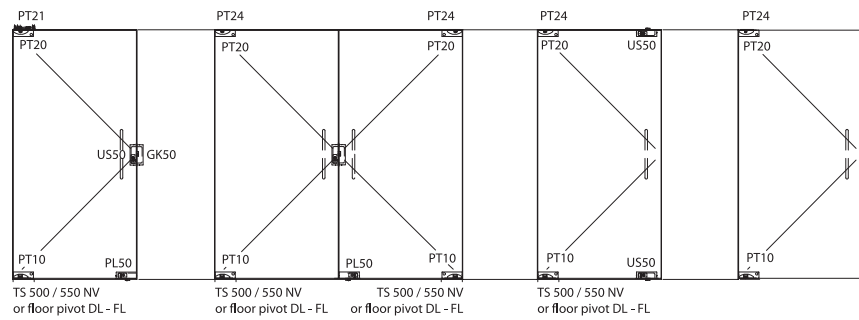
RANGE OF APPLICATION

For exterior installations	●
For interior installations	●
For double-action doors	●
For fixed partition walls and wall covering	●
Door leaf weight	max. 120 kg
Door leaf width	max. 1100 mm
Door leaf height	max. 2800 mm
Glass thickness	ESG (8) / 10 / 12 mm
Torque	screws M6 (4 mm Allen Key) max. 10 Nm screws M6 (5 mm Allen Key) max. 15 Nm screws M8 (5 mm Allen Key) max. 20 Nm

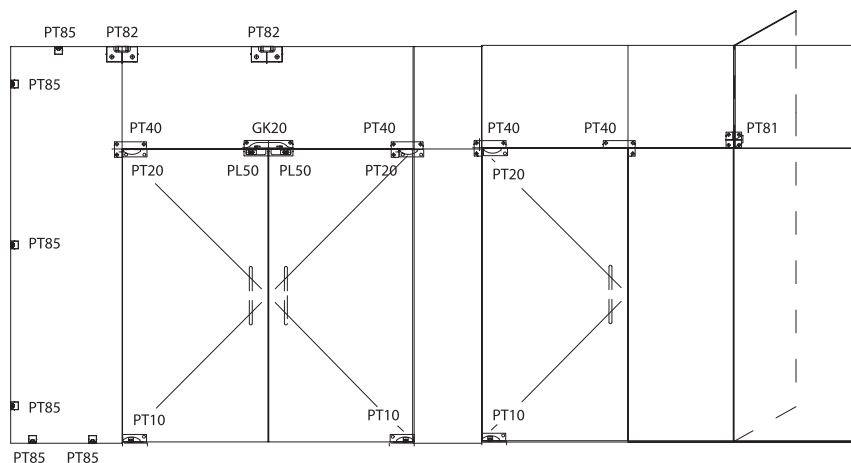
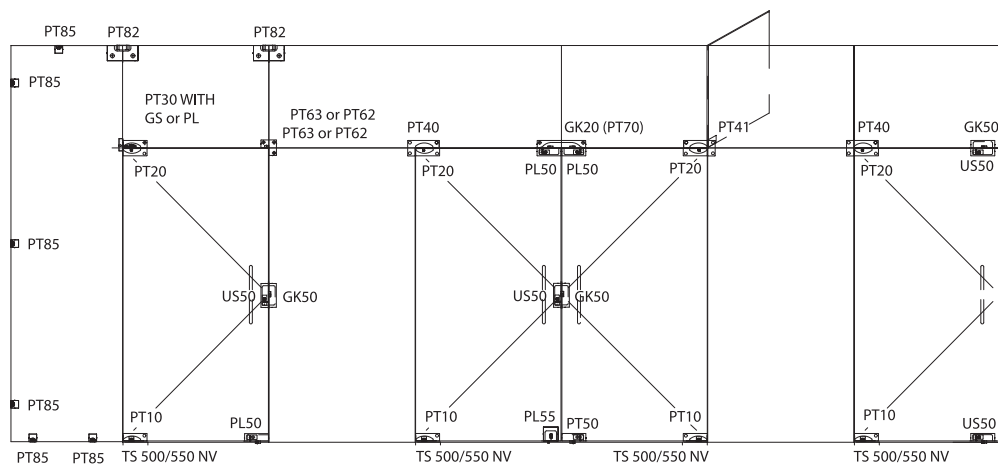
● = Patch fittings useable

OVERVIEW

without overpanel

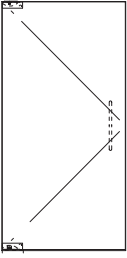


with overpanel

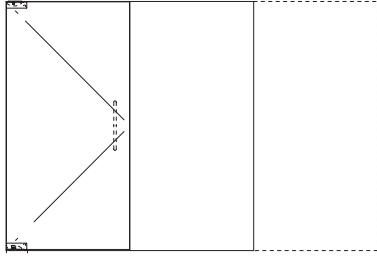


OVERVIEW DOOR SYSTEMS (WITHOUT OVERPANEL)

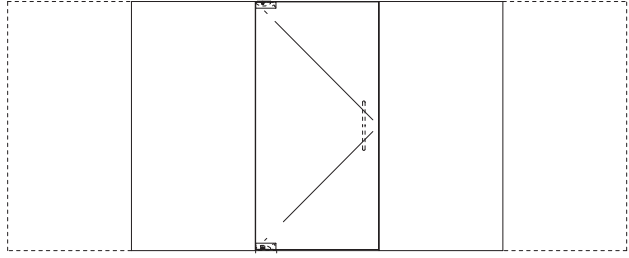
Type 1



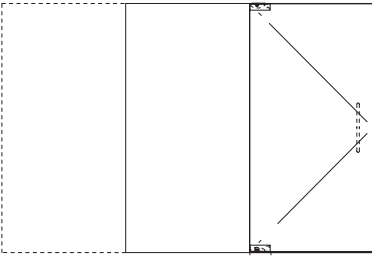
Type 2



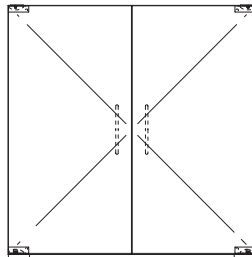
Type 4



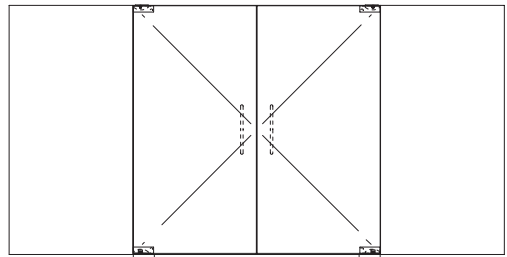
Type 3



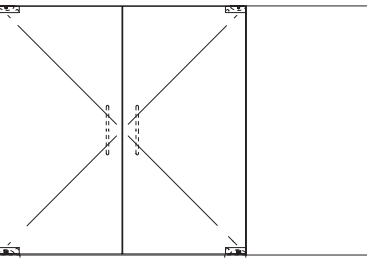
Type 14



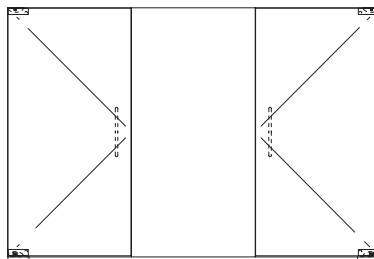
Type 17



Type 15

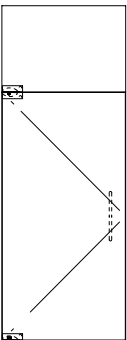


Type 16

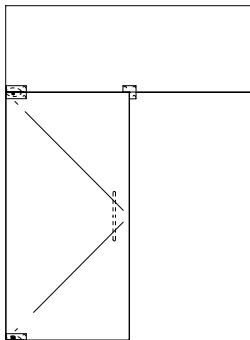


OVERVIEW DOOR SYSTEMS (WITH OVERPANEL)

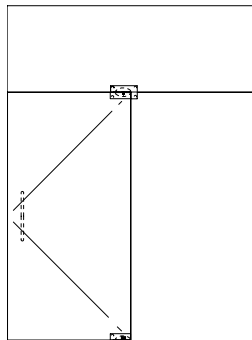
Type 5



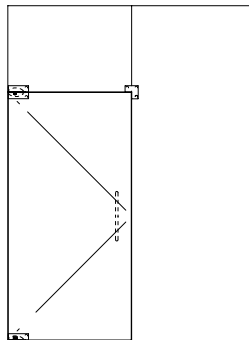
Type 6



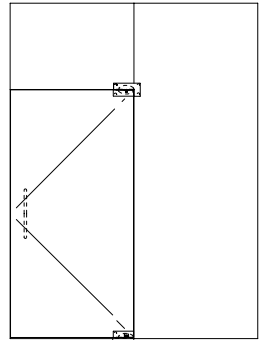
Type 7



Type 8

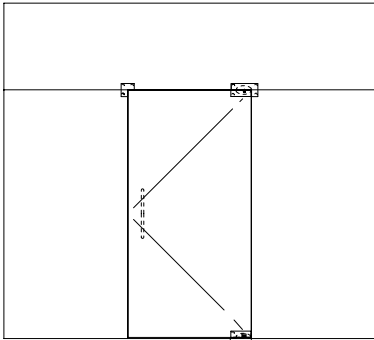


Type 9

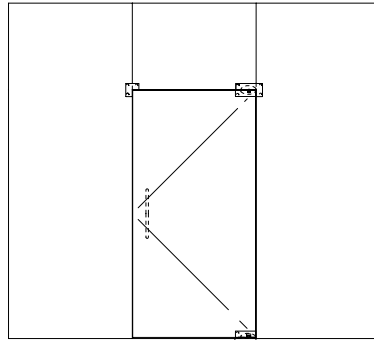


OVERVIEW DOOR SYSTEMS (WITH OVERPANEL)

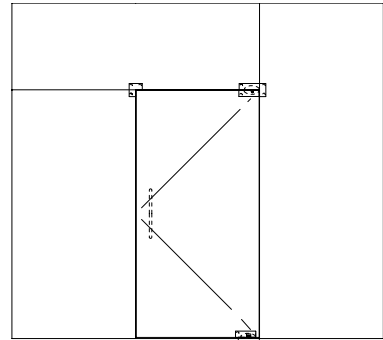
Type 10



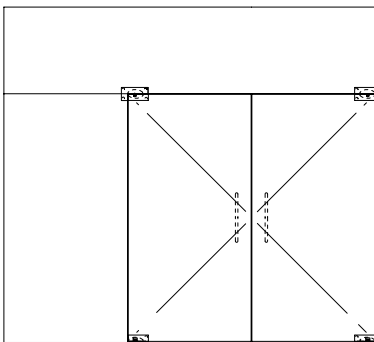
Type 11



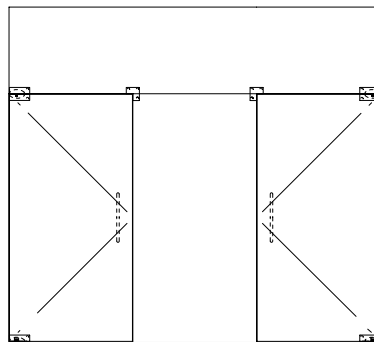
Type 12



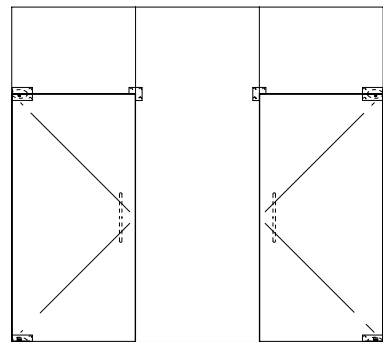
Type 19



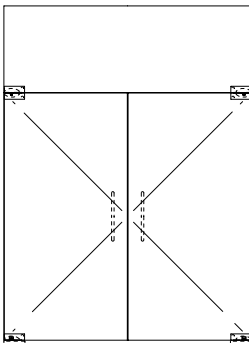
Type 20



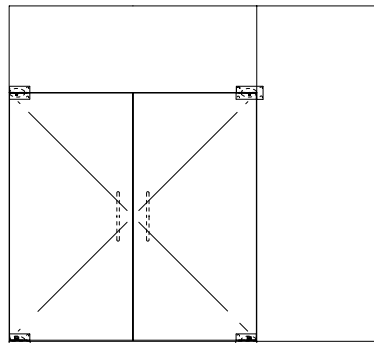
Type 20a



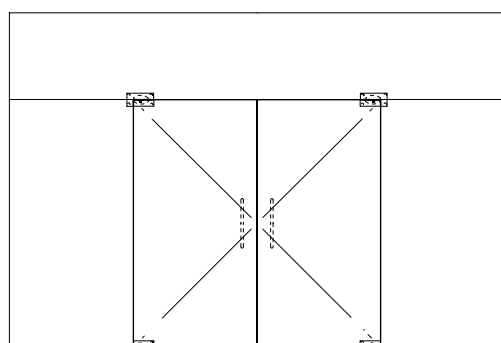
Type 18



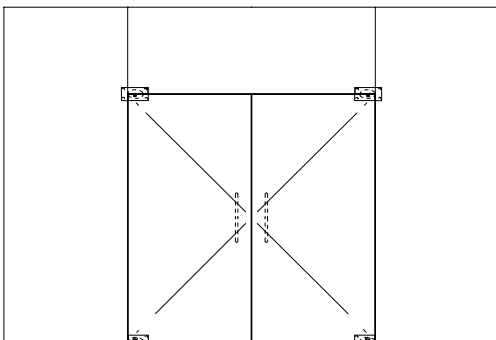
Type 21



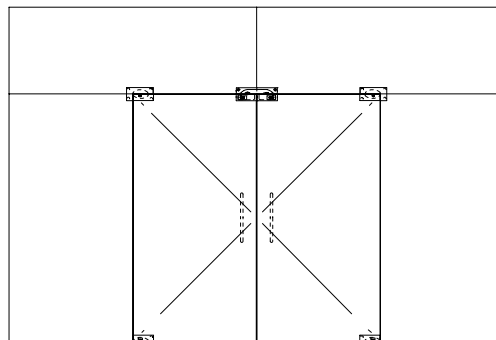
Type 22



Type 23



Type 24



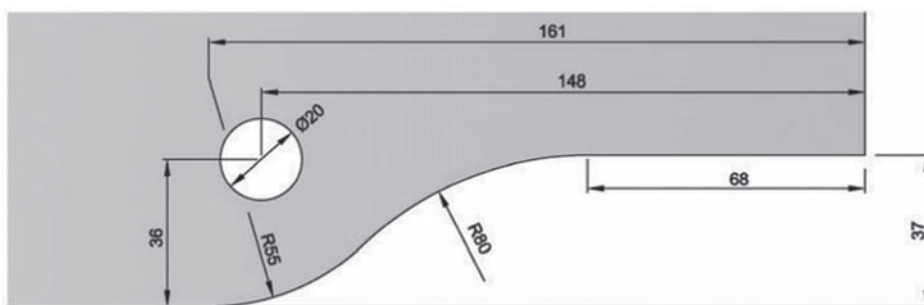
Bottom patch GEZE PT 10

- connection to floor spring or bottom pivot
- satin or polished stainless steel

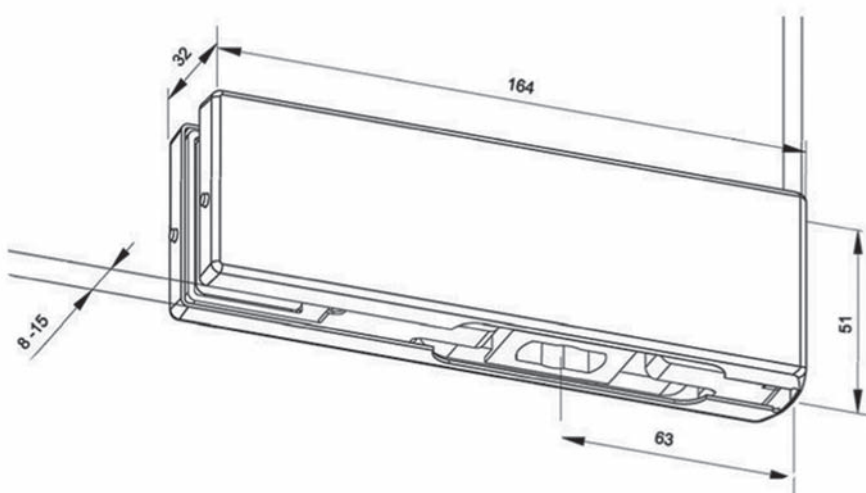
GEZE PT 10



Glass preparation



Dimensions



ORDERING INFORMATION

Identification	Finish	ID no.	Price
Bottom patch PT 10	satin stainless steel	142702	£30.00
	polished stainless steel	144226	£36.00

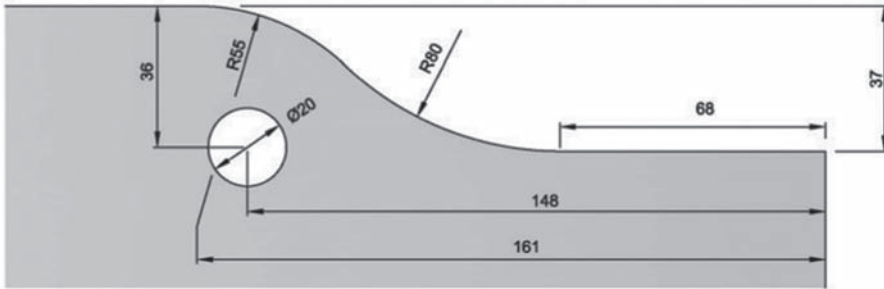
Top patch GEZE PT 20

- connection to PT 21, PT 24, PT 30 or PT 40
- satin or polished stainless steel

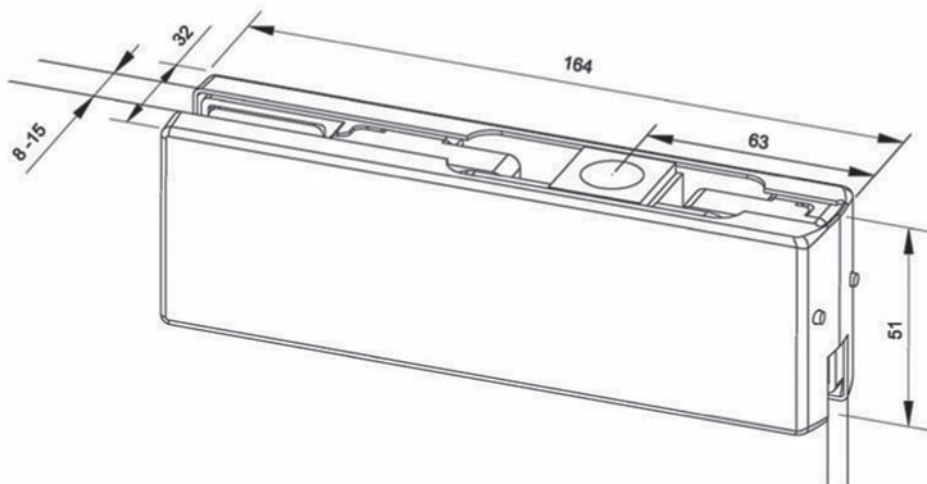
GEZE PT 20



Glass preparation



Dimensions



ORDERING INFORMATION

Identification	Finish	ID no.	Price
Top patch PT 20	satin stainless steel	142703	£30.00
	polished stainless steel	144227	£36.00

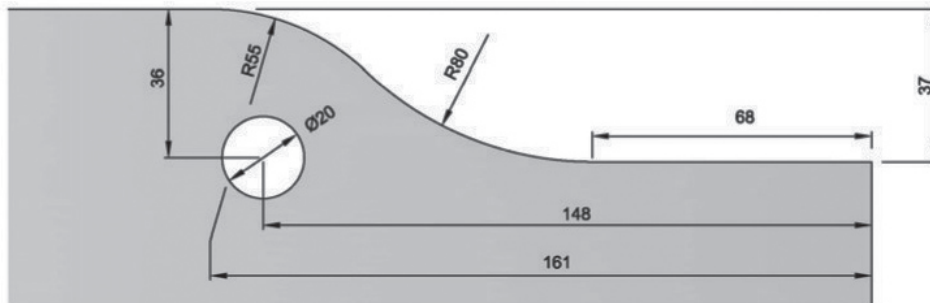
Top patch GEZE PT 22

- connection to transom closer
- satin or polished stainless steel

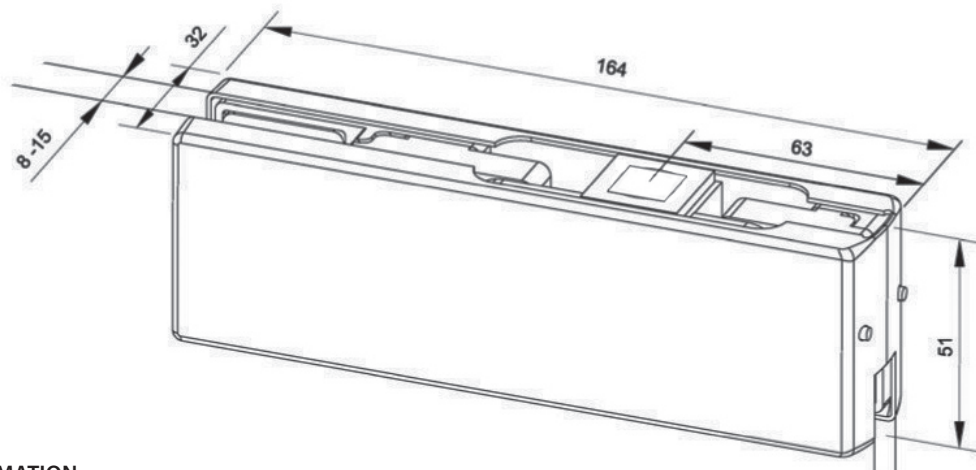
GEZE PT 22



Glass preparation



Dimensions



ORDERING INFORMATION

Identification	Finish	ID no.	Price
Top patch PT 22	satin stainless steel	142704	£40.00
	polished stainless steel	144228	£46.00

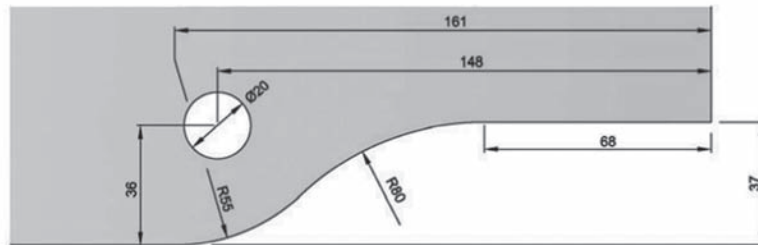
Overpanel patch with pivot pin GEZE PT 30

- overpanel patch for wall fixing
- satin or polished stainless steel

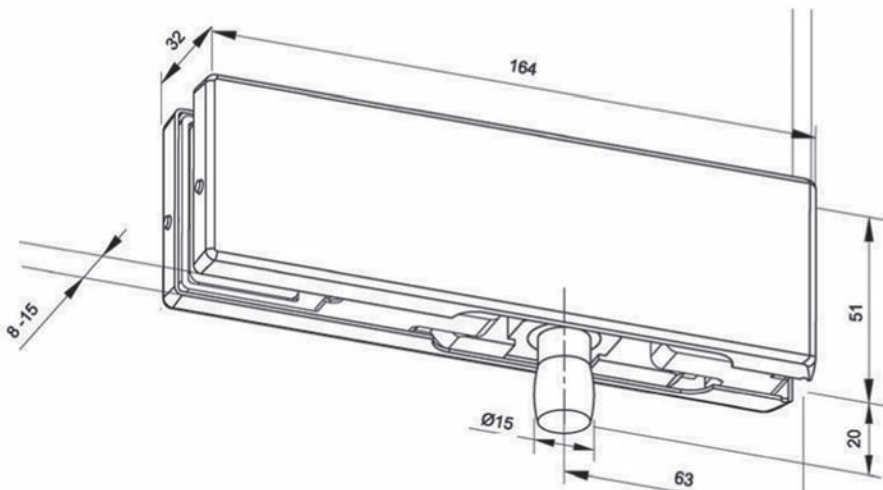
GEZE PT 30



Glass preparation



Dimensions



ORDERING INFORMATION

Identification	Finish	ID no.	Price
Overpanel patch PT 30	satin stainless steel	142705	£34.00
	polished stainless steel	144229	£40.00

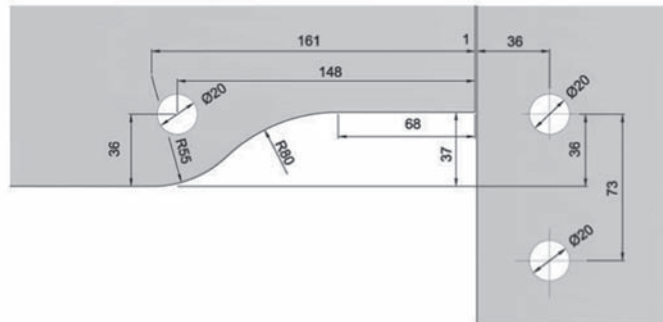
Overpanel and side panel patch GEZE PT 40

- top pivot with connection to the overpanel and lateral fixed panel
- satin or polished stainless steel

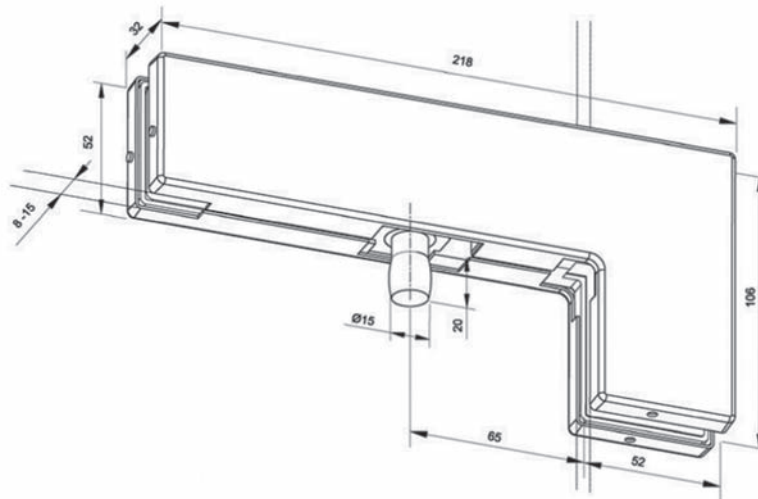
GEZE PT 40



Glass preparation



Dimensions



ORDERING INFORMATION

Identification	Finish	ID no.	Price
Overpanel and side panel patch PT 40	satin stainless steel	142706	£50.00
	polished stainless steel	144230	£60.00

Overpanel and side panel patch with fin GEZE PT 41 L / PT 41 R

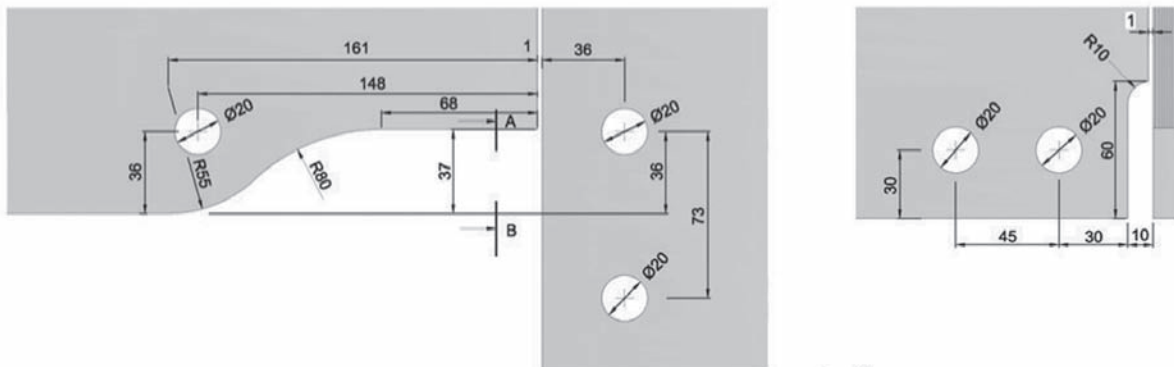
- patch for overpanel and side panel / fin left or right
- satin or polished stainless steel

GEZE PT 41 L / PT 41 R

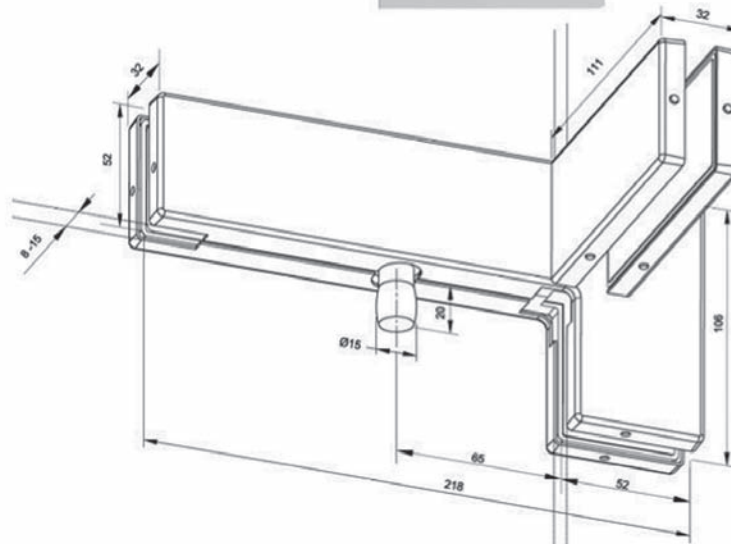


PT 41 RH

Glass preparation



Dimensions



ORDERING INFORMATION

Identification	Finish	ID no.	Price
Overpanel and side panel patch with fin PT 41 LH	satin stainless steel	142707	£110.00
	polished stainless steel	144251	£120.00
Overpanel and side panel patch with fin PT 41 RH (as image above)	satin stainless steel	142708	£110.00
	polished stainless steel	144252	£120.00

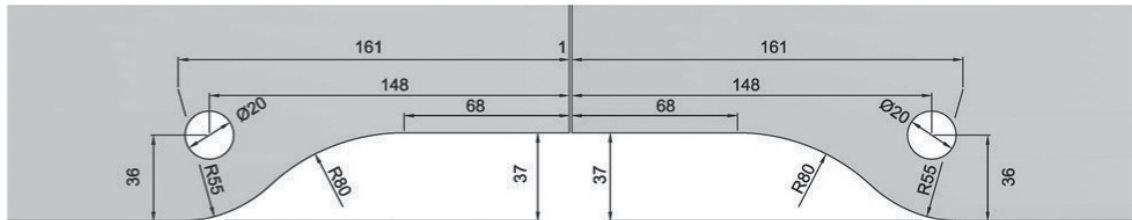
Double overpanel patch GEZE PT 50

- double overpanel patch with two pivot pins
- satin or polished stainless steel

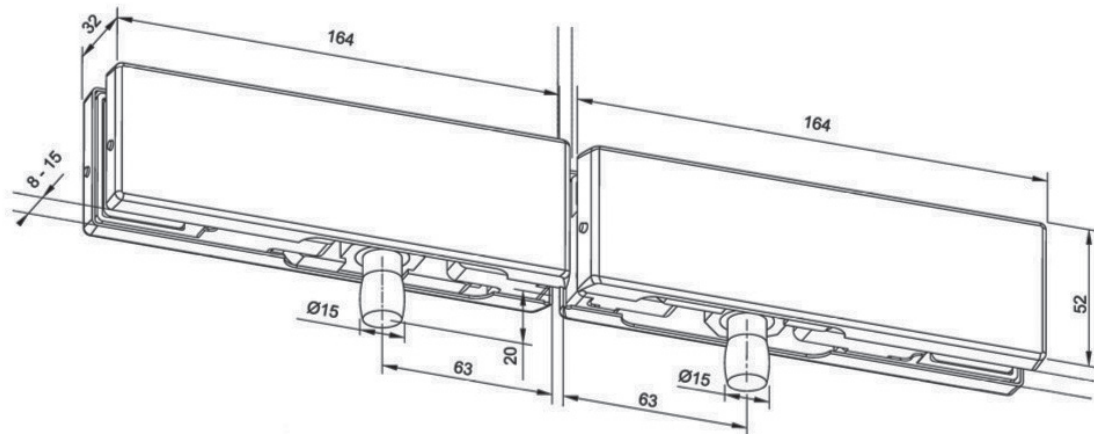
GEZE PT 50



Glass preparation



Dimensions



ORDERING INFORMATION

Identification	Finish	ID no.	Price
Double overpanel patch PT 50	satin stainless steel	142709	£90.00
	polished stainless steel	144253	£100.00

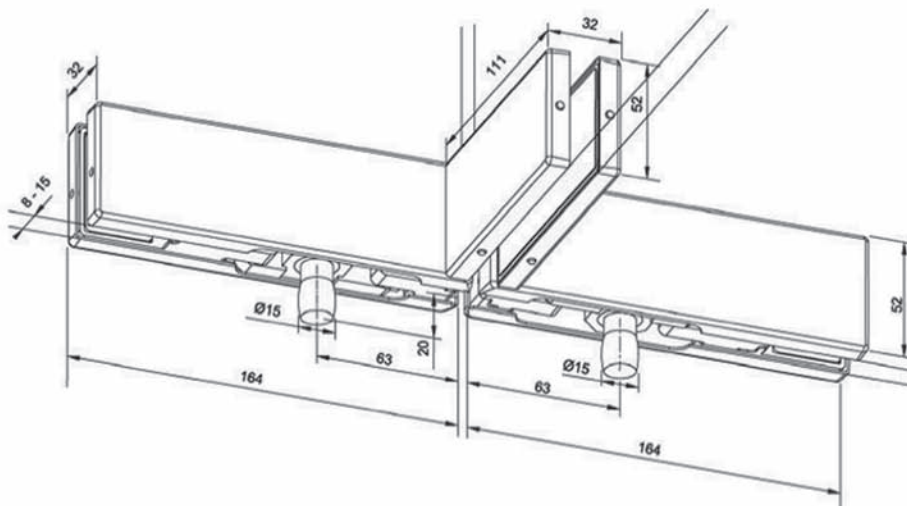
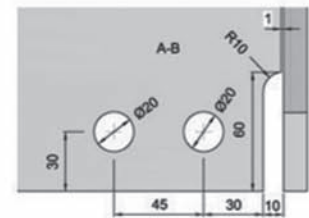
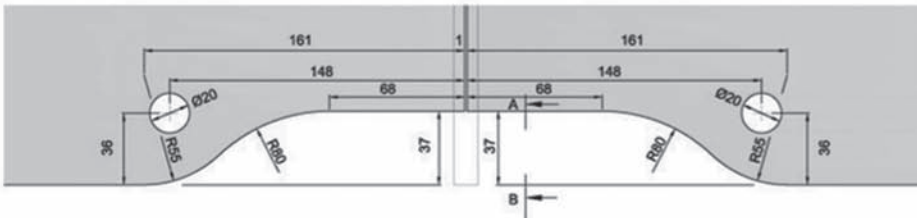
Double overpanel patch with fin GEZE PT 51

- double overpanel patch with two pivot pins and fin on one side
- satin or polished stainless steel

GEZE PT 51



Glass preparation



ORDERING INFORMATION

Identification	Finish	ID no.	Price
Double overpanel patch with fin PT 51	satin stainless steel	142710	£110.00
	polished stainless steel	144254	£120.00

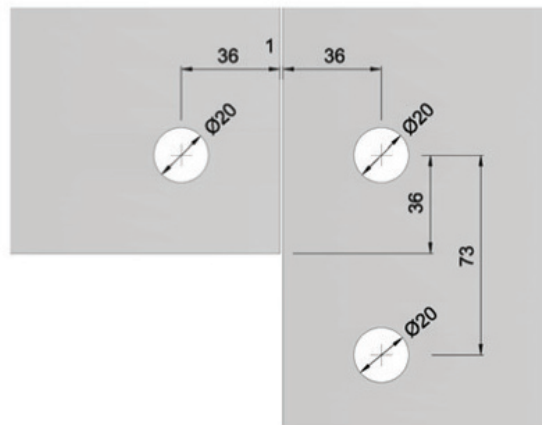
Overpanel and side panel patch GEZE PT 63 and PT 63 S

- connection fixed panel / overpanel PT 63 and PT 63 S with stop
- satin or polished stainless steel

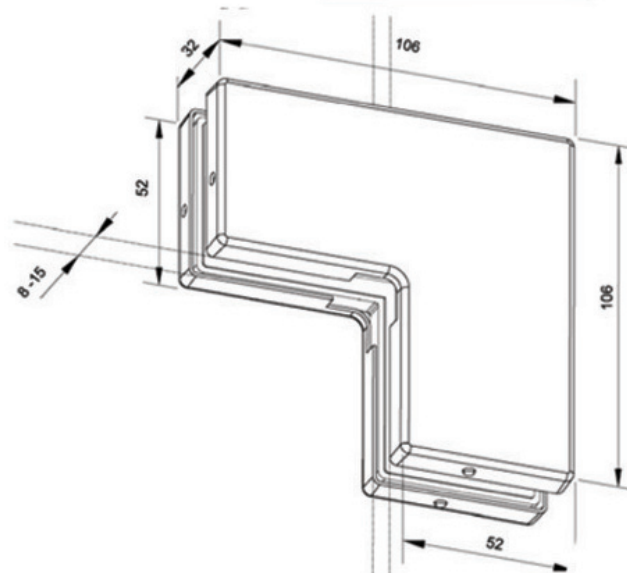
GEZE PT 63 AND PT 63 S



Glass preparation



Dimensions



ORDERING INFORMATION

Identification	Finish	ID no.	Price
Overpanel and side panel patch PT 63	satin stainless steel	142721	£50.00
	polished stainless steel	144255	£60.00
Overpanel and side panel patch with stop PT 63 S	satin stainless steel	142722	£60.00
	polished stainless steel	144256	£70.00

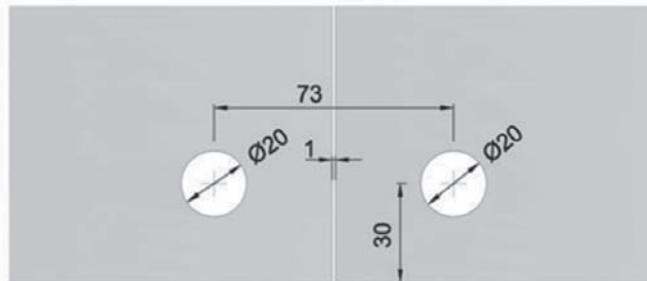
Connector patch GEZE PT 70 and PT 70 S

- connection to overpanel PT 70 and with stop PT 70 S
- satin or polished stainless steel

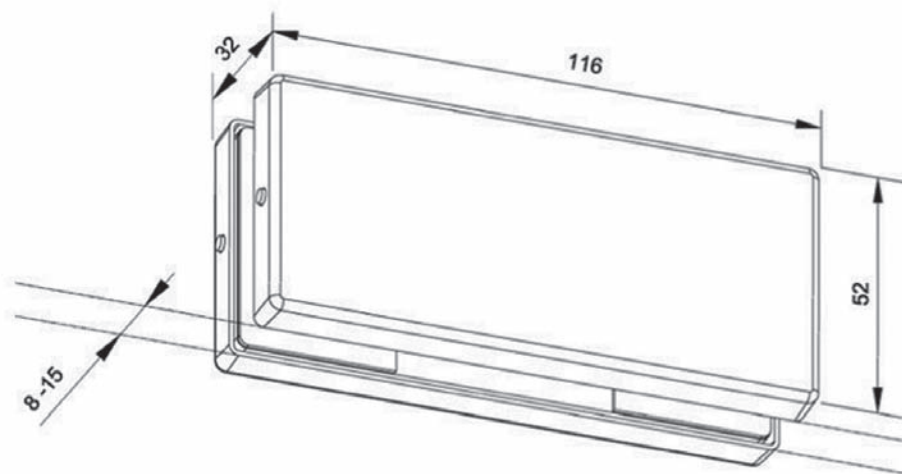
GEZE PT 70 AND PT 70 S



Glass preparation



Dimensions



ORDERING INFORMATION

Identification	Finish	ID no.	Price
Connector patch PT 70	satin stainless steel	142723	£30.00
	polished stainless steel	144233	£36.00
Connector patch PT 70 S	satin stainless steel	142724	£36.00
	polished stainless steel	144234	£42.00

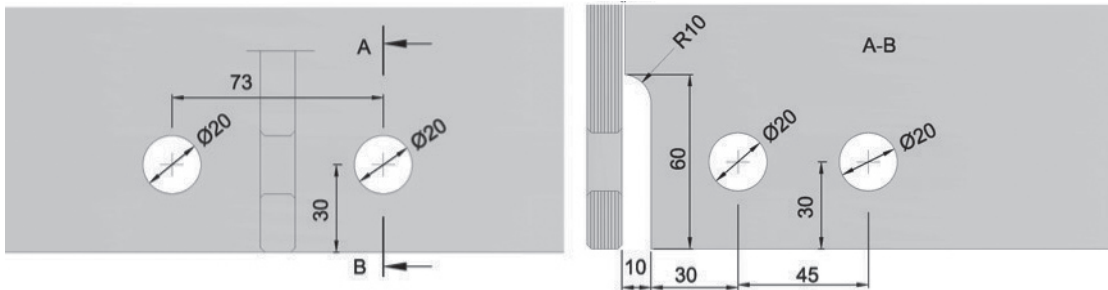
Overpanel patch with fin GEZE PT 71

- connection patch with fin PT 71 and with stops PT 71 S
- satin or polished stainless steel

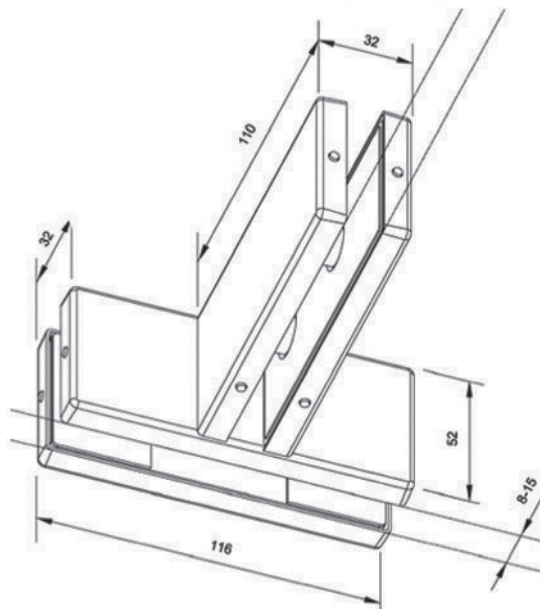
GEZE PT 71 AND PT 71 S



Glass preparation



Dimensions



ORDERING INFORMATION

Identification	Finish	ID no.	Price
Overpanel patch with fin PT 71	satin stainless steel	142725	£70.00
	polished stainless steel	144235	£80.00
Overpanel patch with fin and stops PT 71 S	satin stainless steel	142726	£75.00
	polished stainless steel	144236	£85.00

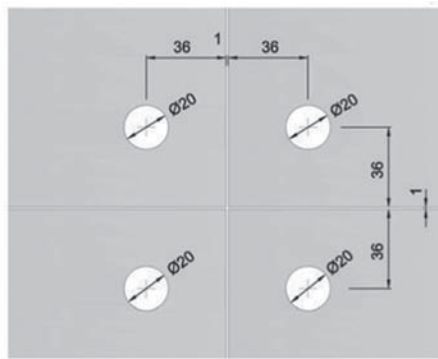
Connector patch GEZE PT 80

- connection (four panel)
- satin or polished stainless steel

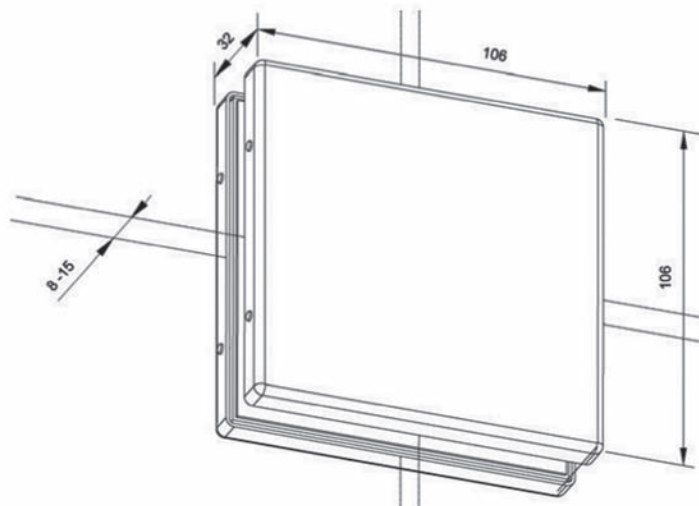
GEZE PT 80



Glass preparation



Dimensions



ORDERING INFORMATION

Identification	Finish	ID no.	Price
Connector patch PT 80	satin stainless steel	142727	£50.00
	polished stainless steel	144237	£55.00

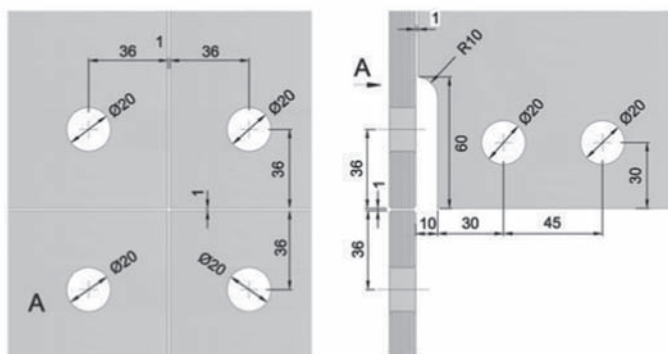
Connector patch with fin GEZE PT 81

- connector patch with centre fin
- satin or polished stainless steel

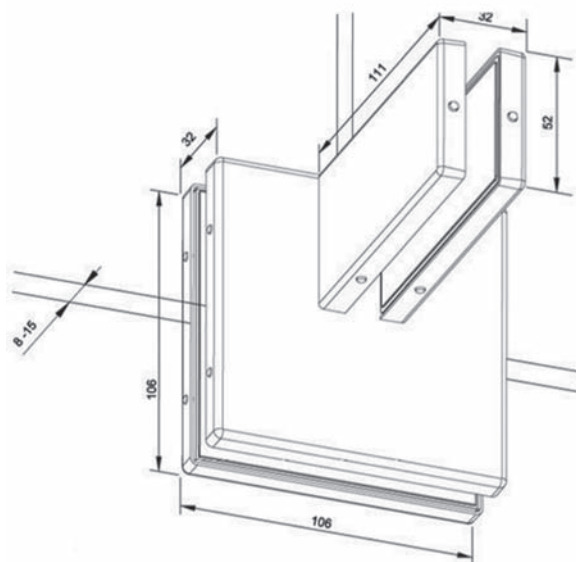
GEZE PT 81



Glass preparation



Dimensions



ORDERING INFORMATION

Identification	Finish	ID no.	Price
Connector patch with fin PT 81	satin stainless steel	142728	£120.00
	polished stainless steel	144238	£130.00

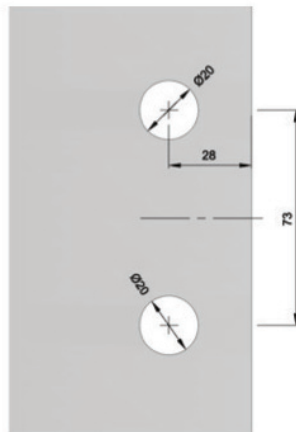
Side patch for fixed panels GEZE PT 82

- glass / wall connection
- satin or polished stainless steel

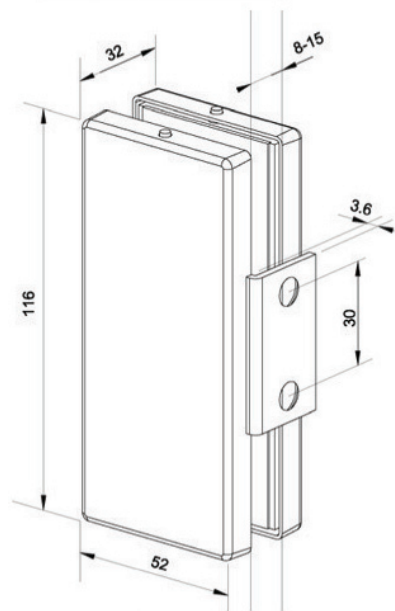
GEZE PT 82



Glass preparation



Dimensions



ORDERING INFORMATION

Identification	Finish	ID no.	Price
Side patch for fixed panels PT 82	satin stainless steel	142729	£50.00
	polished stainless steel	144257	£60.00

Note: Not suitable for load bearing

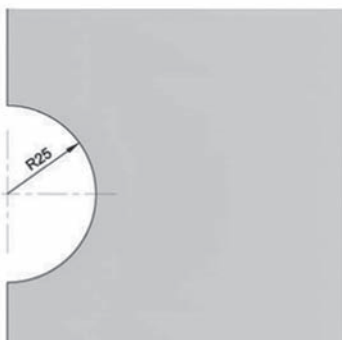
Side patch for fixed panel with M8 bolt GEZE PT 85

- glass / wall connection
- satin or polished stainless steel

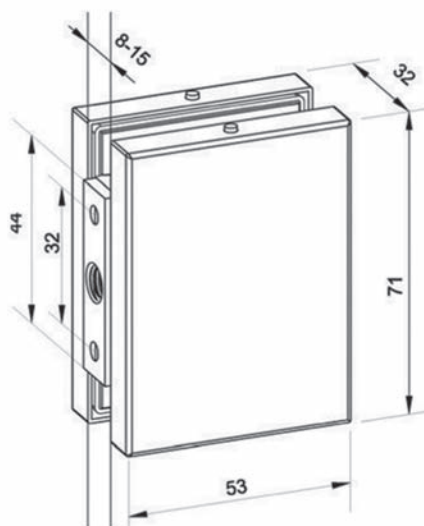
GEZE PT 85



Glass preparation



Dimensions



ORDERING INFORMATION

Identification	Finish	ID no.	Price
Side patch for fixed panel with M8 bolt PT 85	satin stainless steel	142730	£50.00
	polished stainless steel	144239	£60.00

Note: Not suitable for load bearing

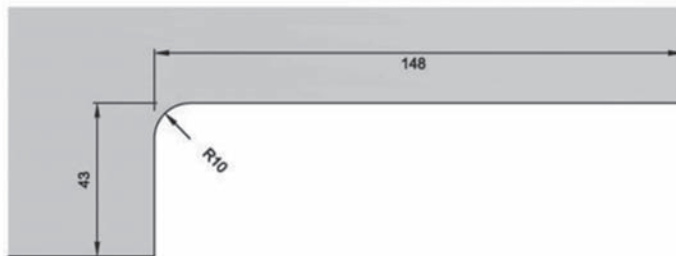
Corner patch lock GEZE PL 50

- corner patch lock without cylinder, with round bolt
- satin or polished stainless steel

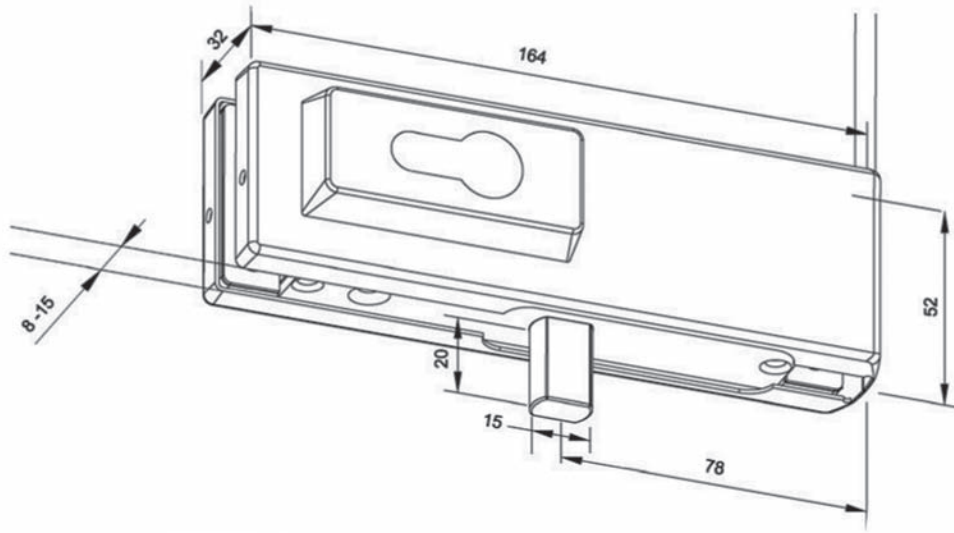
GEZE PL 50



Glass preparation



Dimensions



ORDERING INFORMATION

Identification	Finish	ID no.	Price
Corner patch lock PL 50	satin stainless steel	142737	£50.00
	polished stainless steel	144271	£60.00

Centre lock GEZE US 50

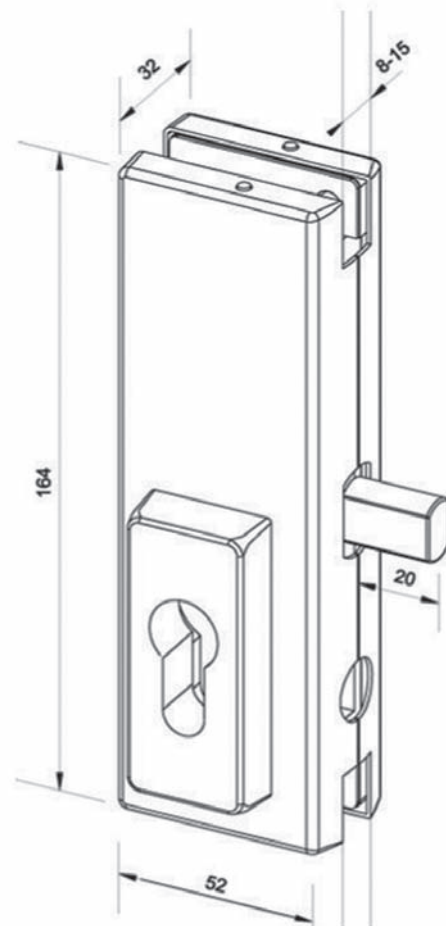
- centre lock without cylinder
- satin or polished stainless steel

GEZE US 50



Glass preparation

Dimensions



ORDERING INFORMATION

Identification	Finish	ID no.	Price
Centre lock US 50	satin stainless steel	142736	£50.00
	polished stainless steel	144260	£60.00

Centre strike GEZE GK 50

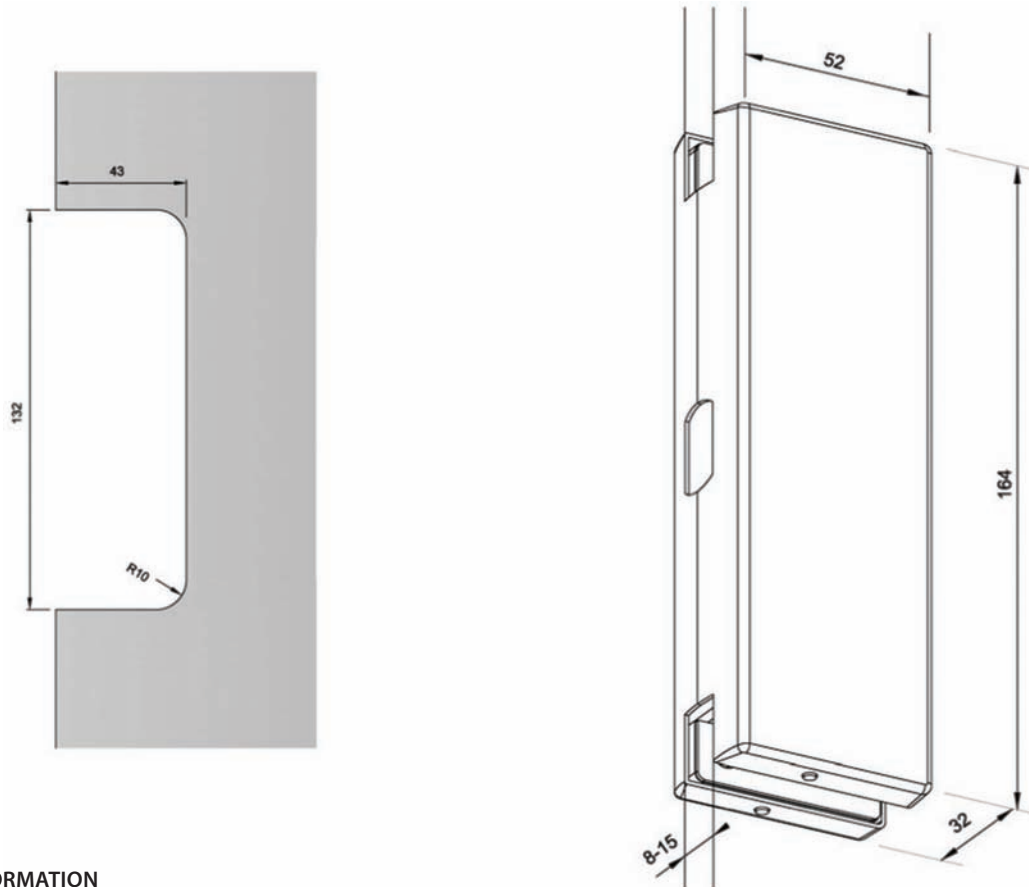
- centre strike box
- satin or polished stainless steel

GEZE GK 50



Glass preparation

Dimensions



ORDERING INFORMATION

Identification	Finish	ID no.	Price
Centre strike box GK 50	satin stainless steel	142735	£30.00
	polished stainless steel	144259	£36.00

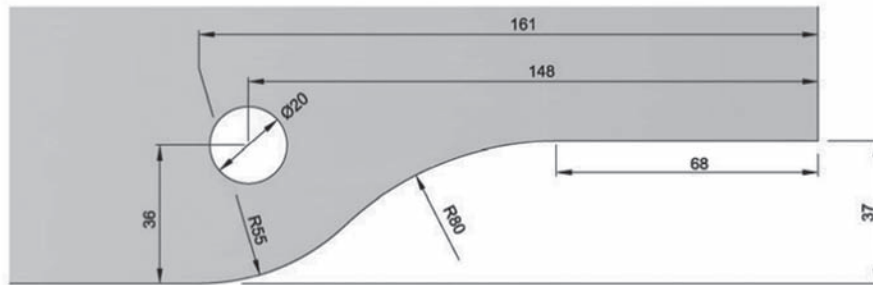
Single overpanel strike box GK 30

- single strike box GK 30
- satin or polished stainless steel

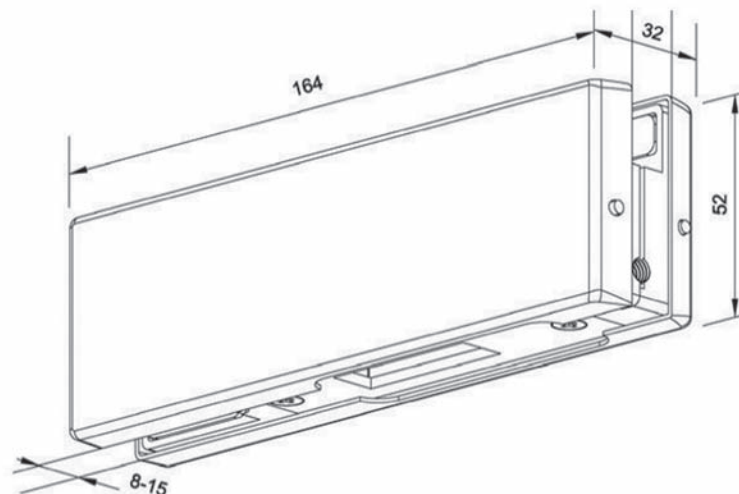
GEZE GK 30



Glass preparation



Dimensions



ORDERING INFORMATION

Identification	Finish	ID no.	Price
Single overpanel strike box GK 30	satin stainless steel	142732	£35.00
	polished stainless steel	144261	£40.00

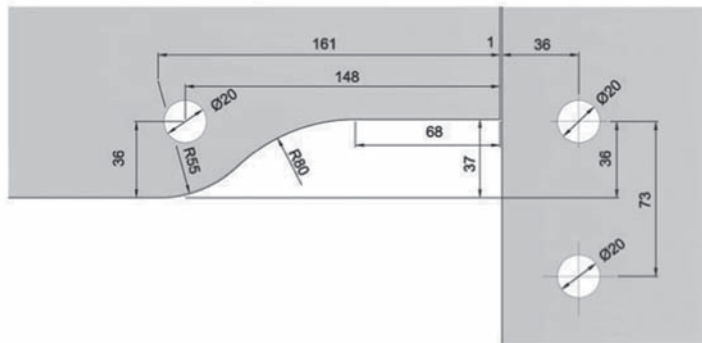
Overpanel and side panel strike box GK 40

- strike box for overpanel and side panel GK 40
- satin or polished stainless steel

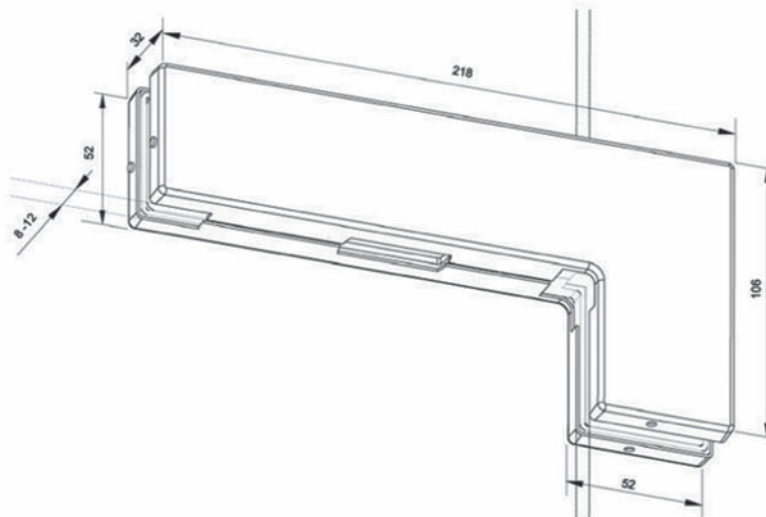
GEZE GK 40



Glass preparation



Dimensions



ORDERING INFORMATION

Identification	Finish	ID no.	Price
Overpanel and side panel strike box GK 40	satin stainless steel	142733	£50.00
	polished stainless steel	144262	£60.00

GEZE PATCH FITTINGS

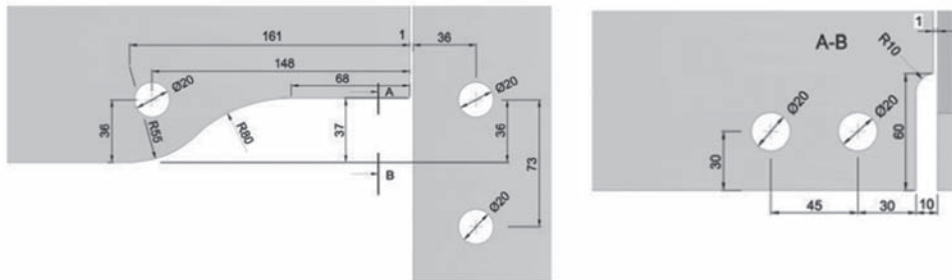
Overpanel and side panel strike box with fin GK 41

- strike box for overpanel and side panel with fin GK 41
- satin or polished stainless steel

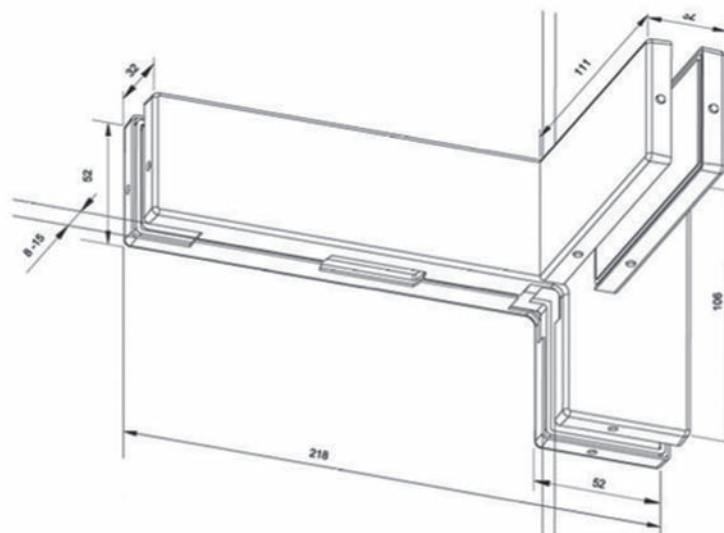
GEZE GK 41



Glass preparation



Dimensions



ORDERING INFORMATION

Identification	Finish	ID no.	Price
Overpanel and side panel strike box with fin GK 41 L/H	satin stainless steel	142734	£110.00
	polished stainless steel	144258	£120.00
Overpanel and side panel strike box with fin GK 41 R/H	satin stainless steel	144342	£110.00
	polished stainless steel	144343	£120.00

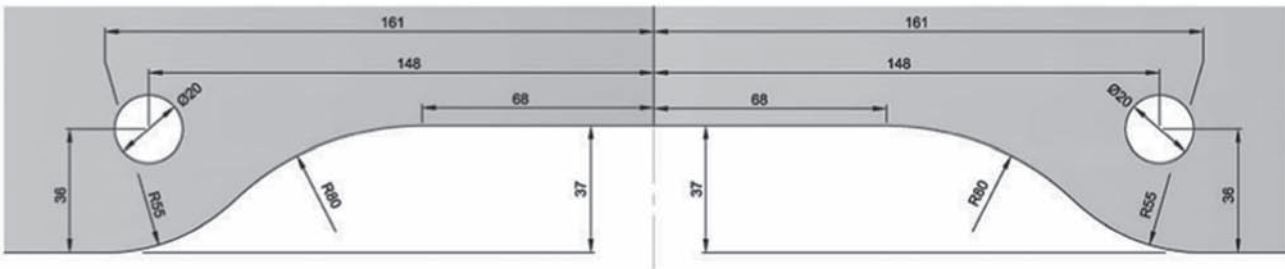
Double strike box GEZE GK 20

- double strike box
- satin or polished stainless steel

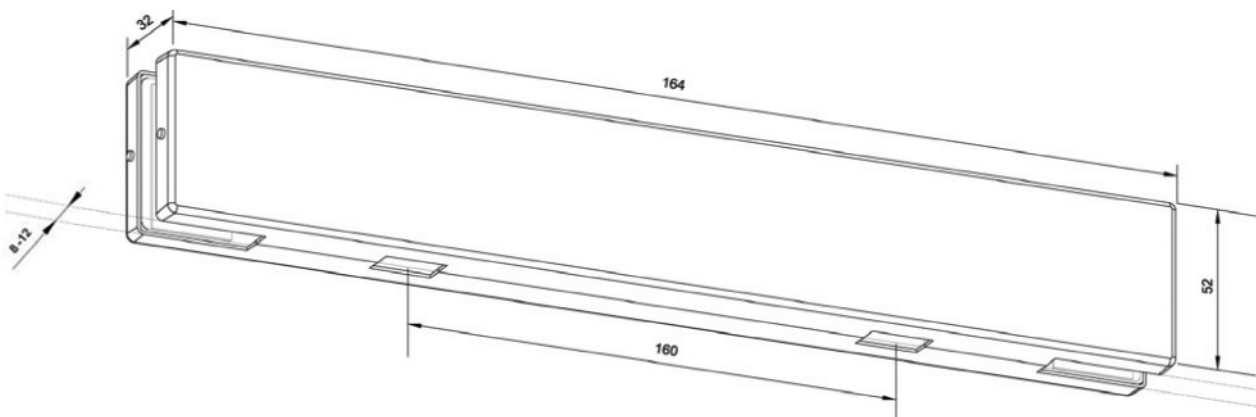
GEZE GK 20



Glass preparation



Dimensions



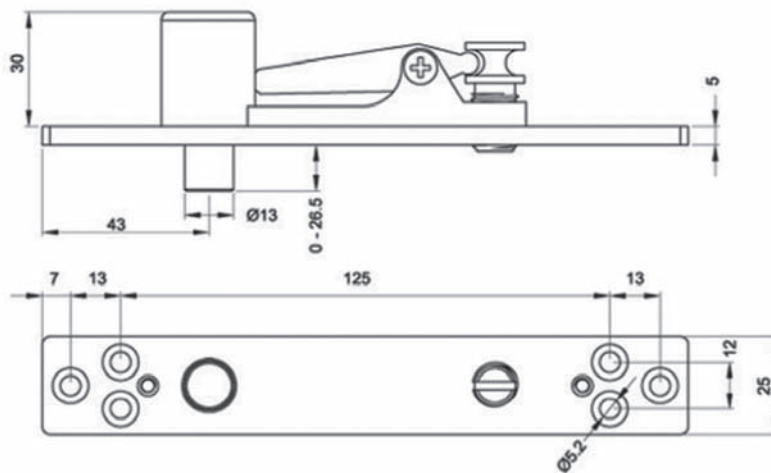
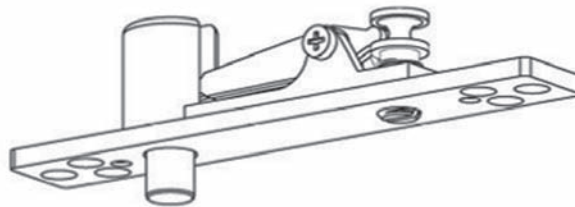
ORDERING INFORMATION

Identification	Finish	ID no.	Price
Double strike box GK 20	satin stainless steel	142731	£90.00
	polished stainless steel	144240	£100.00

Retractable top pivot GEZE PT 21

- recessed retractable top pivot

GEZE PT 21



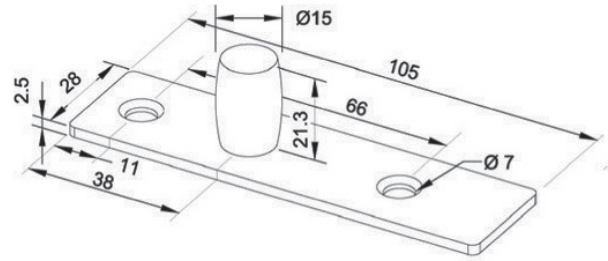
ORDERING INFORMATION

Identification	Finish	ID no.	Price
Retractable top pivot GEZE PT 21	zinc plated steel	142740	£15.00

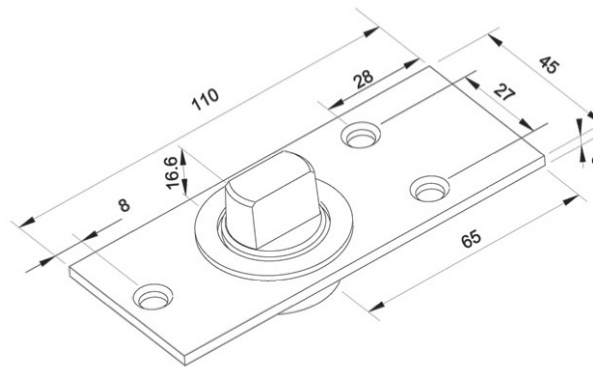
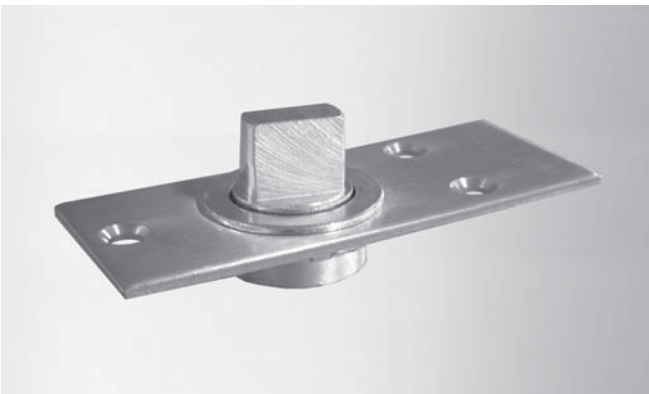
Top pivot GEZE PT 24

- top pivot with fixing plate for doors without overpanel GEZE PT 24

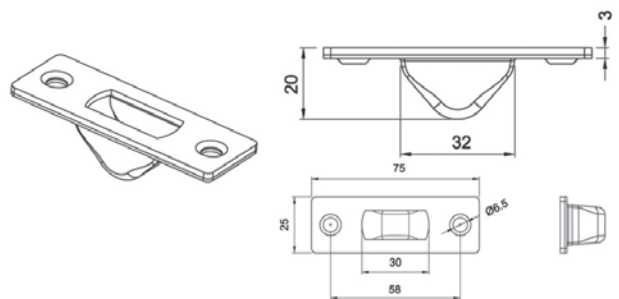
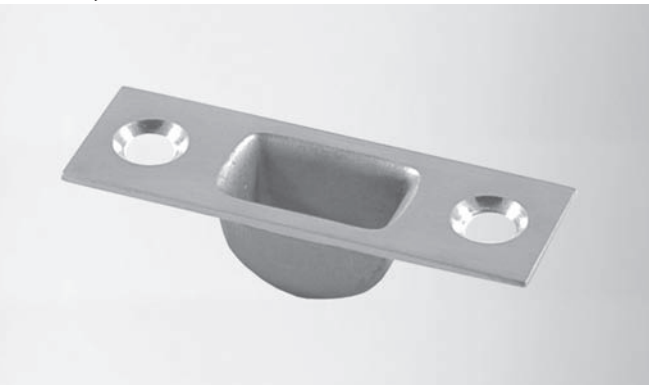
GEZE PT 24



GEZE TS 137 A



GEZE easy clean floor socket



ORDERING INFORMATION

Identification	Finish	ID no.	Price
Top pivot GEZE PT 24	stainless steel	142738	£10.00
GEZE TS 137 A	stainless steel	109621	£20.00
GEZE easy clean floor socket		142739	£10.00

Studio range



Available as:

Latch UV



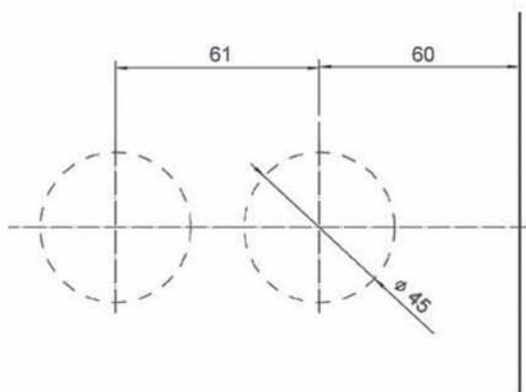
Latch lock PZ



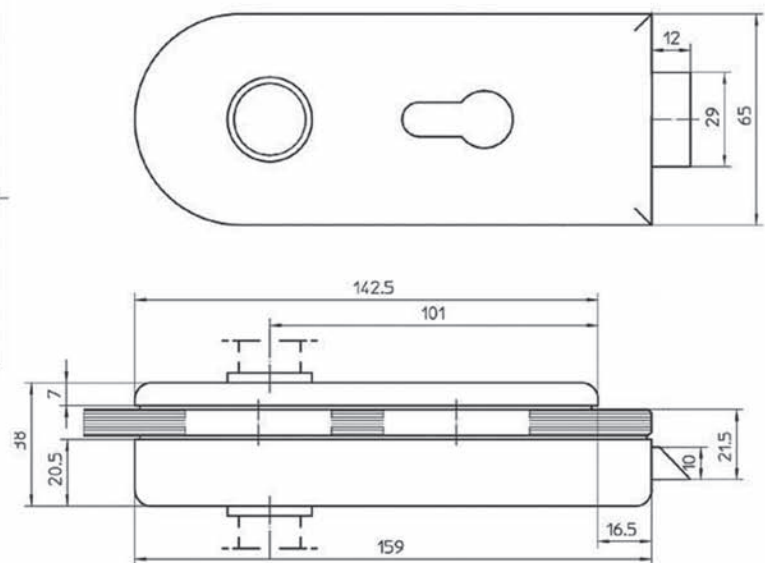
Strike box



Glass preparation



Dimensions



Studio range

Studio latch UV



ORDERING INFORMATION

Identification	Finish	ID no.	Price
Studio latch UV	satin stainless steel	144267	£75.00
	polished stainless steel	144266	£80.00

Studio PZ lock



ORDERING INFORMATION

Identification	Finish	ID no.	Price
Studio PZ lock	satin stainless steel	144269	£75.00
	polished stainless steel	144268	£80.00

Studio bath lock cylinder



ORDERING INFORMATION

Identification	Finish	ID no.	Price
Studio bath lock cylinder	nickel plated	144379	£46.00

Studio strike box



ORDERING INFORMATION

Identification	Finish	ID no.	Price
Studio strike box	satin stainless steel	144312	£75.00
	polished stainless steel	144270	£80.00

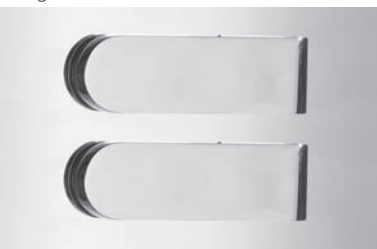
Handle



ORDERING INFORMATION

Identification	Finish	ID no.	Price
Handle	satin stainless steel	144329	£25.00
	polished stainless steel	144328	£25.00

Hinge



ORDERING INFORMATION

Identification	Finish	ID no.	Price
Hinge set (pair)	satin stainless steel	144350	£95.00
	polished stainless steel	144349	£190.00
Frame fixing	timber / metal frames	144346	£15.00
	timber frames	144348	£20.00

(Max leaf weight 45 kg)

Junior range



Available as:

Latch UV



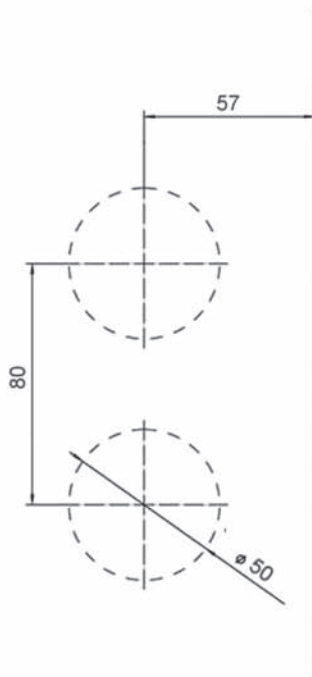
Latch lock PZ



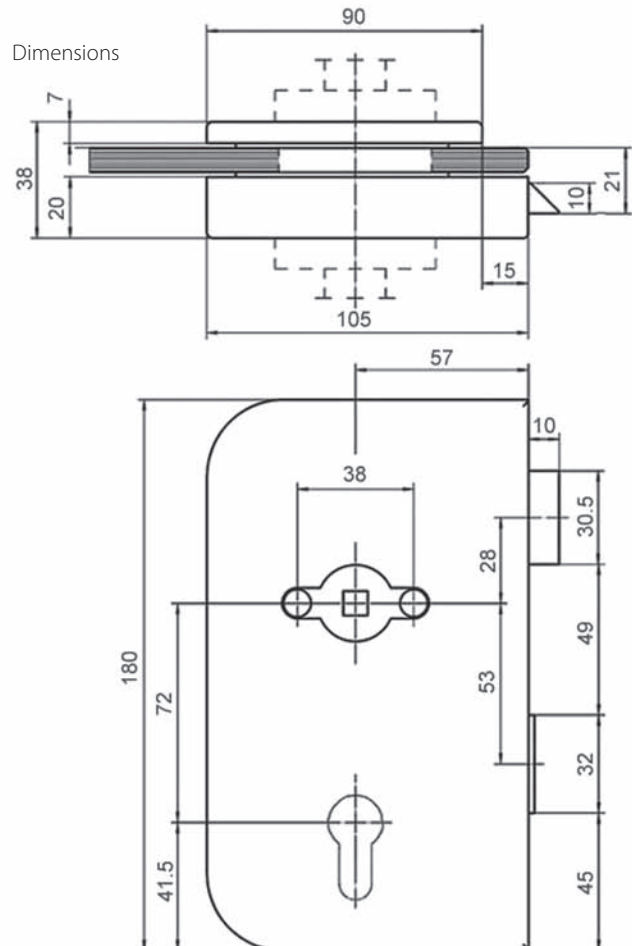
Strike box



Glass preparation



Dimensions



Junior range

Junior latch UV



ORDERING INFORMATION

Identification	Finish	ID no.	Price
Junior latch UV DIN L	satin stainless steel	144316	£170.00
	polished stainless steel	144315	£180.00
Junior latch UV DIN R	satin stainless steel	144314	£170.00
	polished stainless steel	144313	£180.00

Junior PZ lock



ORDERING INFORMATION

Identification	Finish	ID no.	Price
Junior PZ lock DIN L	satin stainless steel	144320	£170.00
	polished stainless steel	144319	£180.00
Junior PZ lock DIN R	satin stainless steel	144318	£170.00
	polished stainless steel	144317	£180.00

Junior bath lock cylinder



ORDERING INFORMATION

Identification	Finish	ID no.	Price
Junior bath lock cylinder	nickel plated	144380	£46.00

Junior strike box



ORDERING INFORMATION

Identification	Finish	ID no.	Price
Junior strike box DIN L	satin stainless steel	144325	£170.00
	polished stainless steel	144324	£180.00
Junior strike box DIN R	satin stainless steel	144323	£170.00
	polished stainless steel	144322	£180.00

Handle



ORDERING INFORMATION

Identification	Finish	ID no.	Price
Handle (pair)	satin stainless steel	144329	£25.00
	polished stainless steel	144328	£25.00

Hinge



ORDERING INFORMATION

Identification	Finish	ID no.	Price
Junior hinge (set of three)	satin stainless steel	144345	£190.00
	polished stainless steel	144344	£190.00
Frame fixing	timber / metal frames	144346	£15.00
	timber frames	144348	£20.00

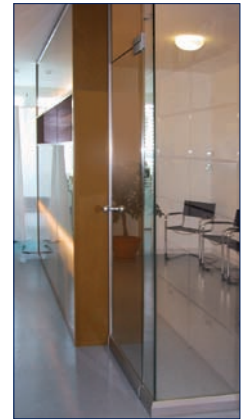
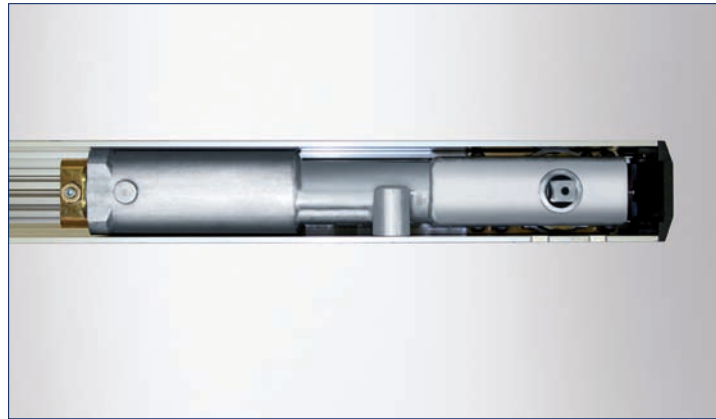
(Max leaf weight 55 kg)

GEZE products in combination with patch fittings

PENDULO C

Transparency and functionality

GEZE Pendulo C is a door rail with an integrated door closer. It protects the exposed lower glass edge of the door against damage. Suitable for door leaves up to 1100 mm.



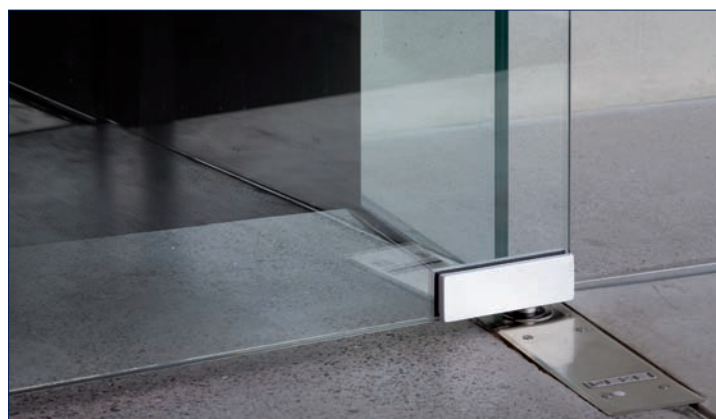
FLOOR SPRINGS

Diversity and reliability

The GEZE floor springs control single-action and double-action doors reliably and unobtrusively.

The product range comprises floor springs for lightweight as well as heavyweight doors which maybe smoke and fire rated. The floor springs for double-leaf doors contain an integrated closing sequence control or additionally an electromechanical hold-open device. The floor springs with lever and guide rail are used for doors with hinges.

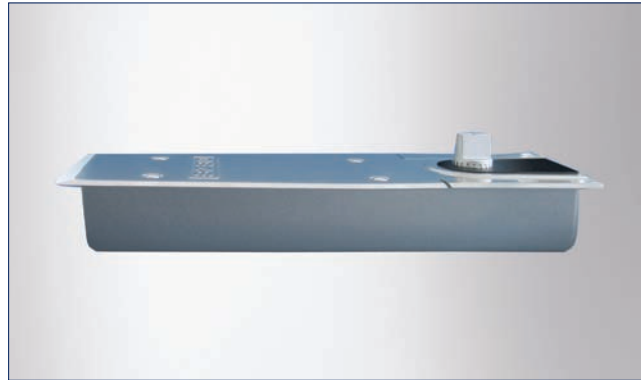
By using the GEZE floor springs in combination with GEZE glass fittings it is also possible to build first class double action glass doors in an easy and economical way, suitable for both commercial and domestic use.



The GEZE TS 500 NV and TS 500 N EN3 floor springs – small but perfectly formed

The exceptionally low overall height of only 42 mm is just one of the unmatched benefits of the TS 500 NV and TS 500 N EN3 floor springs for single action and double action doors. They are unobtrusive and the perfect choice for both new and retrofitted buildings. Their invisible method of functioning – even in all-glass doors – is also a great asset to small and medium-sized doors of up to 1100 mm and leaf weights of up to 150 kg. Used in conjunction with GEZE glass fittings, they enable elegant and attractive all-glass double action doors to be installed in not only highly frequented buildings (such as office complexes), but also private residences. The longevity of the high-quality individual components has been proven in practice, with 500,000 closing and opening cycles performed without any signs of wear.

GEZE TS 500 NV / N EN3



low height of only 42 mm (plus 3 mm in use with PT10)



up to 150 kg leaf weight (100 kg with TS 500 N EN3)



closing force adjustable size 1-4 according to EN 1154 (TS 500 N EN3 with fixed size 3)



back check fixed



closing force adjustable



latching action adjustable (for TS 500 NV only)



optional hold-open device 85°, 90°, 105°, 120°



closing action from 175°

ORDERING INFORMATION

Identification	Finish	ID no.	Price
GEZE TS 500 NV	without hold-open	102084	£140.00
GEZE TS 500 N EN3	without hold-open	103086	£110.00
Cover plate with screw accessories	satin stainless steel	102127	£14.00
	polished stainless steel	116526	£24.00

GEZE PATCH FITTINGS

The floor spring GEZE TS 550 NV – convenient and secure

The TS 550 NV offers comfort and elegance for double action and single action doors with leaf weights up to 300 kg. The invisible functionality is an incontestable advantage for all-glass doors. Particularly when used with highly frequented doors in foyers (eg. office buildings and hall entrances) its versatility and robustness become even more apparent.

GEZE TS 550 NV



slim installation height of only 54 mm (plus 3 mm in use with PT10)



interchangeable axle upper part for **door leaf weights up to 300 kg**



infinitely adjustable closing force EN3 to EN6



integrated back check to prevent hard shocks



individual **adjustable closing force**



adjustable latching action for secure closing



infinitely variable hydraulic hold-open between 80° and 165° und **integrated delayed closing action** against too rapid closing

ORDERING INFORMATION

Identification	Finish	ID no.	Price
GEZE TS 550 NV		123950	£230.00
Cover plate, reinforced to 1.5 mm material thickness	satin stainless steel	125888	£20.00

GEZE GmbH
P.O. Box 1363
71226 Leonberg
Germany

GEZE Service GmbH NL Südwest
 Reinhold-Vöster-Straße 25
 71229 Leonberg
 Tel. +49 (0) 7152-92 33 34

GEZE GmbH
Reinhold-Vöster-Straße 21-29
71229 Leonberg
Germany
Telefon +49 (0) 7152-203-0
Telefax +49 (0) 7152-203-310

GEZE Service GmbH NL Nord-Ost
 Bühringstraße 8
 13086 Berlin (Weissensee)
 Tel. +49 (0) 30-47 02 17 32

www.geze.com

GEZE Service GmbH NL West
 Nordsternstraße 65
 45329 Essen
 Tel. +49 (0) 201-8 30 82 16

Germany
 GEZE Sonderkonstruktionen GmbH
 Planken 1
 97944 Boxberg-Schweigern
 Tel. +49 (0) 7930-9294-0
 Fax +49 (0) 7930-9294-10
 E-Mail: sk.de@geze.com

GEZE Service GmbH NL Mitte
 Adenauerallee 2
 61440 Oberursel
 Tel. +49 (0) 6171-63 61 03

GEZE GmbH
 Niederlassung Nord/Ost
 Bühringstraße 8
 13086 Berlin (Weissensee)
 Tel. +49 (0) 30-47 89 90-0
 Fax +49 (0) 30-47 89 90-17
 E-Mail: berlin.de@geze.com

GEZE Service GmbH NL Süd
 Keltnering 10
 85658 Eggening
 Tel. +49 (0) 8095-87 13 61

Austria
 GEZE Austria GmbH
 Mayrwiesstraße 12
 5300 Hallwang b. Salzburg
 Tel. +43-(0)662-663142
 Fax +43-(0)662-663142-15
 E-Mail: austria.at@geze.com

GEZE GmbH
 Niederlassung West
 Nordsternstraße 65
 45329 Essen
 Tel. +49 (0) 201-83082-0
 Fax +49 (0) 201-83082-20
 E-Mail: essen.de@geze.com

Baltic States
 GEZE GmbH Baltic States office
 Dzelzavas iela 120 S
 1021 Riga
 Tel. +371 (0) 67 89 60 35
 Fax +371 (0) 67 89 60 36
 E-Mail: office-latvia@geze.com

GEZE GmbH
 Niederlassung Mitte
 Adenauerallee 2
 61440 Oberursel (b. Frankfurt)
 Tel. +49 (0) 6171-63610-0
 Fax +49 (0) 6171-63610-1
 E-Mail: frankfurt.de@geze.com

Benelux
 GEZE Benelux B.V.
 Leemkuil 1
 Industrieterrein Kapelbeemd
 5626 EA Eindhoven
 Tel. +31-(0)40-26290-80
 Fax +31-(0)40-26 290-85
 E-Mail: benelux.nl@geze.com

GEZE GmbH
 Niederlassung Süd
 Reinhold-Vöster-Straße 21-29
 71229 Leonberg
 Tel. +49 (0) 7152-203-594
 Fax +49 (0) 7152-203-438
 E-Mail: leonberg.de@geze.com

Bulgaria
 GEZE Bulgaria - Trade
 Representative Office
 61 Pirinski Prohod, entrance „B“,
 4th floor, office 5,
 1680 Sofia
 Tel. +359 (0) 24 70 43 73
 Fax +359 (0) 24 70 62 62
 E-Mail: office-bulgaria@geze.com

China
 GEZE Industries (Tianjin) Co., Ltd.
 Shuangchenzhong Road
 Beichen Economic Development
 Area (BEDA)
 Tianjin 300400, P.R. China
 Tel. +86(0)22-26973995-0
 Fax +86(0)22-26972702
 E-Mail: Sales-info@geze.com.cn

GEZE Industries (Tianjin) Co., Ltd.
 Branch Office Shanghai
 Unit 25N, Cross Region Plaza
 No 899, Ling Ling Road,
 XuHui District
 200030 Shanghai, P.R. China
 Tel. +86 (0)21-523 40 960
 Fax +86 (0)21-644 72 007
 E-Mail: chinasales@geze.com.cn

GEZE Industries (Tianjin) Co., Ltd.
 Branch Office Guangzhou
 Room 17C3
 Everbright Bank Building, No.689
 Tian He Bei Road
 510630 Guangzhou
 P.R. China
 Tel. +86(0)20-38731842
 Fax +86(0)20-38731834
 E-Mail: chinasales@geze.com.cn

GEZE Industries (Tianjin) Co., Ltd.
 Branch Office Beijing
 Rm3A02, Building 3
 ZhuBang 2000 Business Plaza
 No.98, Balizhuang xili
 Chaoyang District
 100025 Beijing, P.R.China
 Tel. +86 (0)10-8797 5177 /-78
 Fax +86 (0)10-8797 5171
 E-Mail: chinasales@geze.com.cn

France
 GEZE France S.A.R.L.
 ZAC de l'Orme Rond
 RN 19
 77170 Servon
 Tel. +33-(0)1-606260-70
 Fax +33-(0)1-606260-71
 E-Mail: france.fr@geze.com

Hungary
 GEZE Hungary Kft.
 Bartók Béla út 105-113.
 Budapest
 H-1115
 Tel. +36 (1) 481 4670
 Fax +36 (1) 481 4671
 E-Mail: office-hungary@geze.com

Iberia
 GEZE Iberia S.R.L.
 Pol. Ind. El Pla
 C/Comerc, 2-22, Nave 12
 08980 Sant Feliu de Llobregat
 (Barcelona)
 Tel. +34(0)9-02194036
 Fax +34(0)9-02194035
 E-Mail: info@geze.es

India
 GEZE India Private Ltd.
 MF 2 & 3, Guindy Industrial Estate
 Ekkattuthangal
 Chennai 600 097
 Tamilnadu
 Tel. +91 44 3061 6900
 Fax +91 44 3061 6901
 E-Mail: office-india@geze.com

Italy
 GEZE Italia Srl
 Via Giotto, 4
 20040 Cambiago (MI)
 Tel. +3902950695-11
 Fax +3902950695-33
 E-Mail: italia.it@geze.com

GEZE Engineering Roma Srl
 Via Lucrezia Romana, 91
 00178 Roma
 Tel. +3906-7265311
 Fax +3906-72653136
 E-Mail: roma@geze.biz

Poland
 GEZE Polska Sp.z o.o.
 ul. Annapol 21
 03-236 Warszawa
 Tel. +48 (0)22 440 4 440
 Fax +48 (0)22 440 4 400
 E-Mail: geze.pl@geze.com

Romania
 GEZE Romania s.r.l.
 IRIDE Business Park,
 Str. Dimitrie Pompeiu nr. 9-9a,
 Building 10, Level 2, Sector 2,
 020335 Bucharest
 Tel.: +40 (0) 21 25 07 750
 Fax: +40 (0) 21 25 07 750
 E-Mail: office-romania@geze.com

Russian Federation
 GEZE GmbH Representative
 Office Russia
 Kolodesnij pereulok3, str. 25
 Office Nr. 5201-5203
 107076 Moskau
 Tel. +7 (0) 49 55 89 90 52
 Fax +7 (0) 49 55 89 90 51
 E-Mail: office-russia@geze.com

Scandinavia – Sweden
 GEZE Scandinavia AB
 Mallslingan 10
 Box 7060
 18711 Täby, Sweden
 Tel. +46(0)8-7323-400
 Fax +46(0)8-7323-499
 E-Mail: sverige.se@geze.com

Scandinavia – Norway
 GEZE Scandinavia AB avd. Norge
 Industriveien 34 B
 2073 Dal
 Tel. +47(0)639-57200
 Fax +47(0)639-57173
 E-Mail: norge.se@geze.com

Scandinavia – Finland
 Branch office of GEZE Scandinavia AB
 Herralantie 824
 Postbox 20
 15871 Hollola
 Tel. +358(0)10-4005100
 Fax +358(0)10-4005120
 E-Mail: finland.se@geze.com

Scandinavia – Denmark
 GEZE Danmark
 Branch office of GEZE Scandinavia AB
 Høje Taastrup Boulevard 53
 2630 Taastrup
 Tel. +45(0)46-323324
 Fax +45(0)46-323326
 E-Mail: danmark.se@geze.com

South Africa
 DCLSA Distributors (Pty.) Ltd.
 118 Richards Drive, Halfway House,
 Ext 111
 P.O. Box 7934, Midrand 1685
 Tel. +27(0)113158286
 Fax +27(0)113158261
 E-Mail: info@dclsa.co.za

Switzerland
 GEZE Schweiz AG
 Bodenackerstrasse 79
 4657 Dulliken
 Tel. +41-(0)62-2855400
 Fax +41-(0)62-2855401
 E-Mail: schweiz.ch@geze.com

Turkey
 GEZE GmbH Türkiye - İstanbul
 İrtibat Bürosu
 Ataşehir Bulvarı, Ata 2/3
 Plaza Kat: 9 D: 84 Ataşehir
 Kadıköy / İstanbul
 Tel. + 90 (0) 21 64 55 43 15
 Fax + 90 (0) 21 64 55 82 15
 E-Mail: office-turkey@geze.com

Ukraine
 Repräsentanz GEZE GmbH Ukraine
 ul. Vikentija Hvoyki, 21,
 office 151
 04080 Kiev
 Tel. +38 (0) 44 49 97 725
 Fax +38 (0) 44 49 97 725
 E-Mail: office-ukraine@geze.com

United Arab Emirates/GCC
 GEZE Middle East
 P.O. Box 17903
 Jebel Ali Free Zone
 Dubai
 Tel. +971(0)4-8833112
 Fax +971(0)4-8833240
 E-Mail: geze@emirates.net.ae

United Kingdom
 GEZE UK Ltd.
 Blenheim Way
 Fradley Park
 Lichfield
 Staffordshire WS13 8SY
 Tel. +44(0)1543443000
 Fax +44(0)1543443001
 E-Mail: info.uk@geze.com

GEZE REPRESENTATIVE